

DESCRIPTION

- Metal construction with a chrome finish
- G1/2 inlet connections
- Include 600mm flexible inlet hoses

OPERATION

- Lever style handle
- Pull-on / Push-off
- Temperature controlled through 100 degree arc of handle travel

FLOW

- Flow is limited to 8.3L/min at 0.4Mpa with aerator
- Flowrate is about 5.46L/min at 0.3Mpa with aerator
- Flowrate is about 3.18L/min at 0.1Mpa with aerator

CARTRIDGE

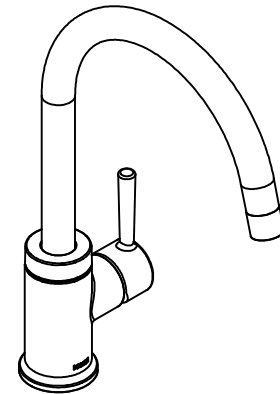
- MOEN Duralast cartridge

STANDARD

- Designed to meet GB 18145

WARRANTY

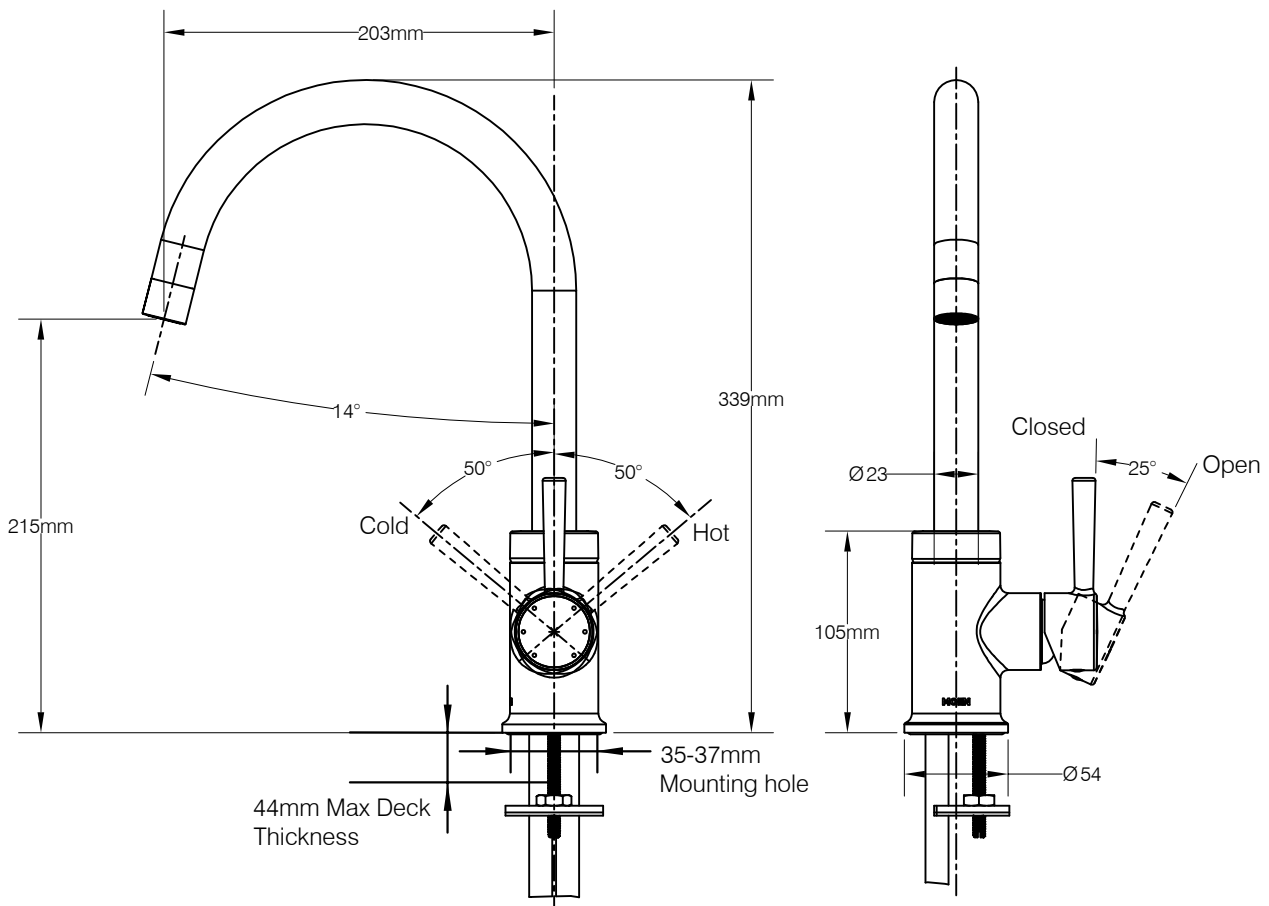
- 5 years limited warranty against leaks and drips



CHARMANT
High Arc Kitchen Faucet

Models:GN60405,GN60405SRS

NOTE:SEE REVERSE SIDE FOR ILLUSTRATED PARTS



CRITICAL DIMENSION

(DO NOT SCALE)