

DESCRIPTION

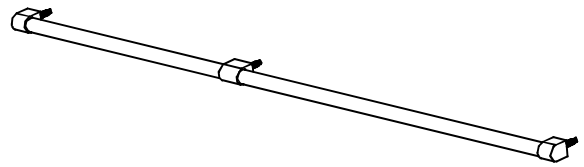
- Celine series kitchen accessory
- 304 Stainless steel construction , polish finish
- Stainless steel holder in wall mounting system , hardware included

STANDARD

- Comply with Moen standard Q/MESN 3
- Comply with 24HH ASS TEST

WARRANTY

- 1 years limited lifetime warranty against material or manufacturing defects to the original consumer purchaser

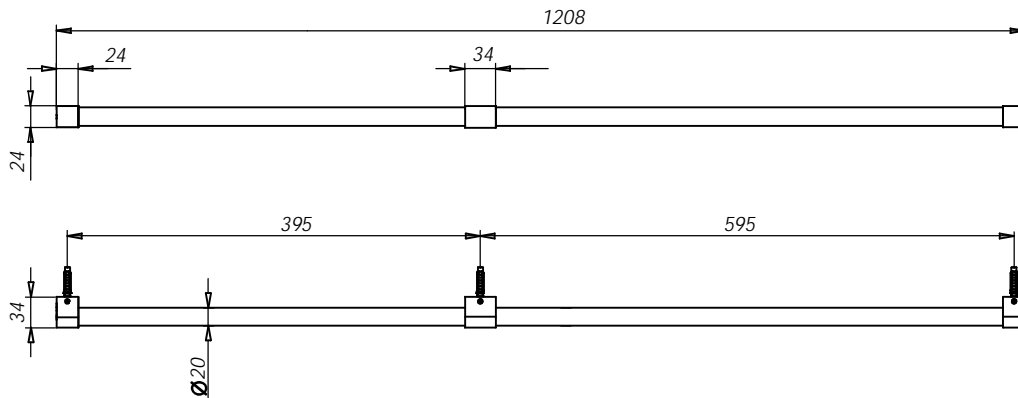


Kitchen Bar(100cm)

Models: KAC0274

Units : mm

Bar thickness : 0.8mm



CRITICAL DIMENSION

(DO NOT SCALE)