

DESCRIPTION

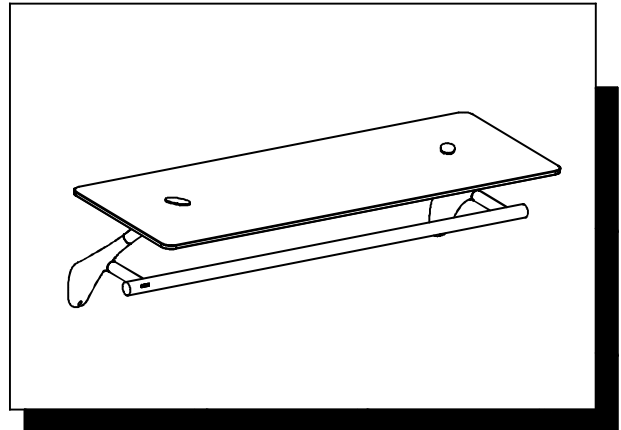
- Metal construction with Chrome plated, or Matt black, Oppal Black, Copper

STANDARD

- Comply with GB1560-2017
- All finishes pass AASS 24H grade 10.

WARRANTY

- 1 year limited warranty except artificial damage and chemicals erosion



NOTE: ALL DIMENSIONS ARE MM.

DOUBLE TOWEL SHELF
Models: ACC2601 SERIES

