

DESCRIPTION

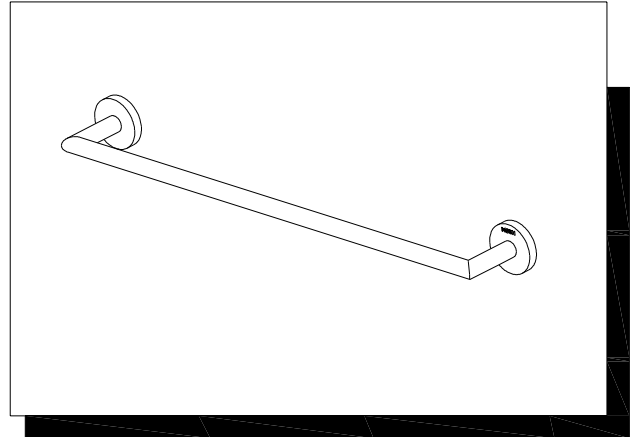
- Metal construction with Polished and Brushed finish

STANDARD

- Comply with GB1560-2006
- Polished and Brushed finish pass AASS 24H grade 10.

WARRANTY

- 5 years limited warranty except artificial damage and chemicals erosion



NOTE: ALL DIMENSIONS ARE MM.

BELLA SERIES SINGLE TOWEL BAR
Models: ACC1903 / ACC1903SLP

