

DESCRIPTION

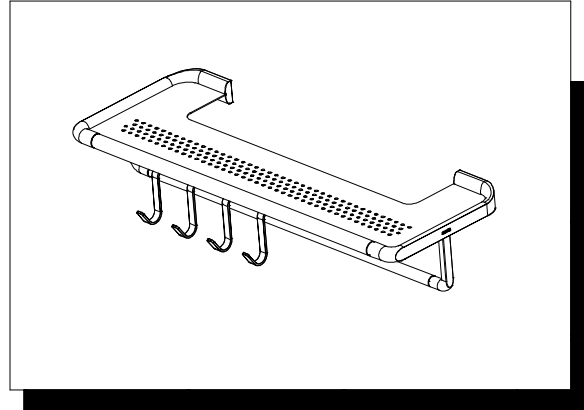
- Metal construction with chrome plated finish

STANDARD

- Comply with GB1560-2017
- Chrome plated finish pass AASS 24H grade 10.

WARRANTY

- 1 years limited warranty except artificial damage and chemicals erosion



NOTE: ALL DIMENSIONS ARE MM.

DOUBLE BATHTOWEL SHELF
Models: ACC2701

