

DESCRIPTION

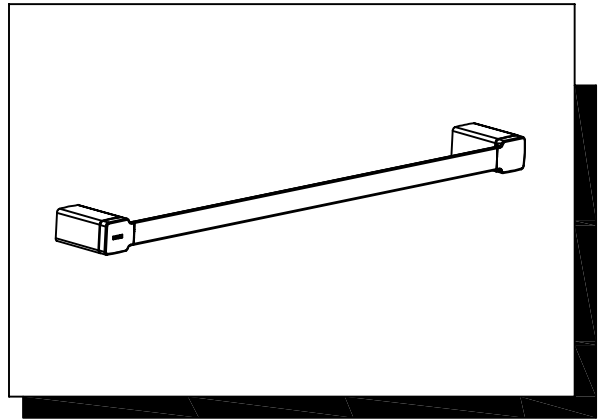
- Metal construction with chrome plated and SRS finish

STANDARD

- Comply with QB/T 1560-2006
- Chrome plated and SRS finish pass AASS 24H grade 10.

WARRANTY

- 5 years limited warranty except artificial damage and chemicals erosion



NOTE: ALL DIMENSIONS ARE MM.

SINGLE TOWEL BAR(46cm)
Models: ACC1413 Series

