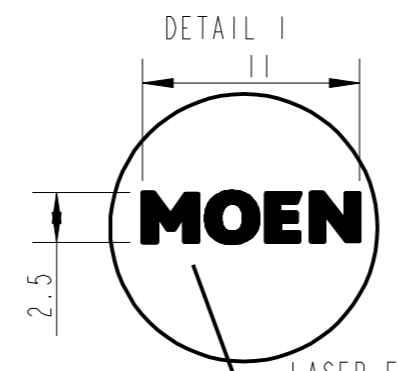
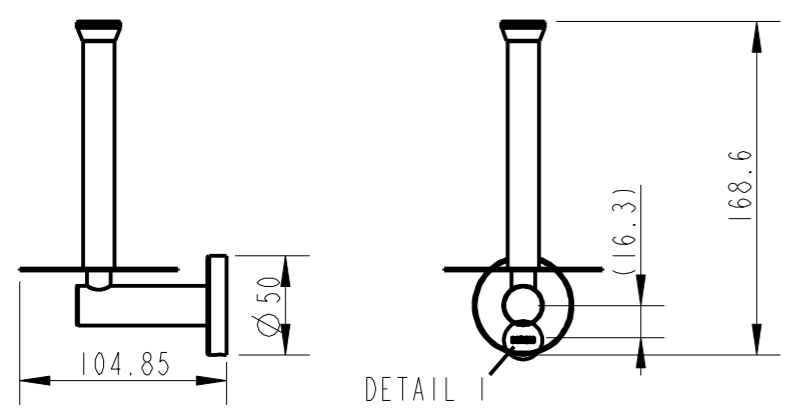
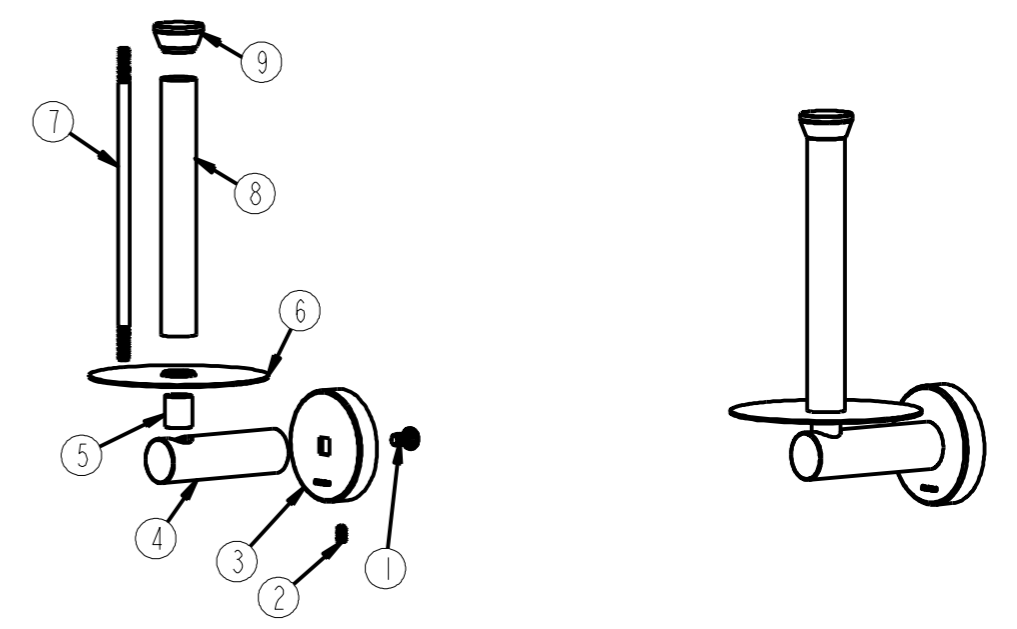
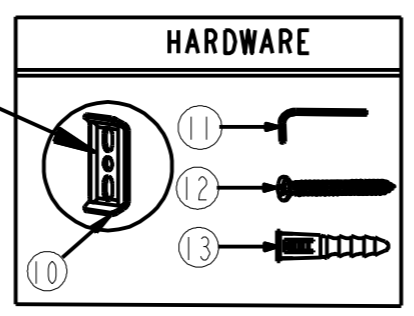
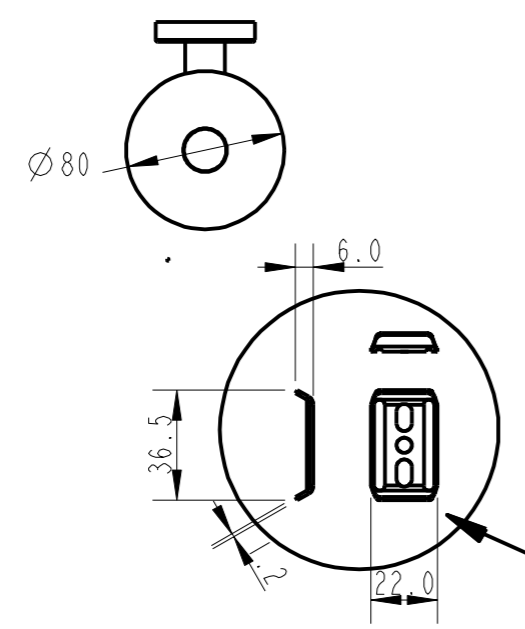


- NOTES:
1. SMOOTH AND BRIGHT SURFACE WITHOUT SCUFFING AND OTHER DEFECTS MEETS THE MOEN'S EXTERIOR APPEARANCE REQUIREMENT
 2. MEET THE REQUIREMENT OF QB/T 1560 AND SALT SPARY TEST 24H GRADE 10
 3. INCLUDE INDIVIDUAL&MASTER CARTON, INSTRUCTION SHEET, PRODUCT LABEL, AND PRODUCT CERTIFICATION
 4. PARTS SHALL MEET APPROVED COSMETIC STANDAEDS WHEN INSPECTED PER MOEN COSMETIC STANDARD PROCEDURE 02-05
 5. MATERIAL AND FINISH: REFERENCE MATERIAL LIST



LASER ETCHED MOEN LOGO
PER LOGO L-124400
SEE MOEN SPECIFICATION ES-180
FOR DIMENSION, LOCATION, AND MAKING REQUIREMENTS



ITEM	PART NUMBER	DESCRIPTION	MATERIAL	FINISH	QTY	REMARK
13	BM0007	SCREW HOLDER	PVC	MATERIAL	2	HARDWARE PACKAGE
12	GX0037	TAPPING SCREW	SUS304	MATERIAL	2	
11	AK0010	HEX WRENCH	STEEL	BLACK	1	
10	CF1019	FIXED PIECE	SUS304	MATERIAL	1	
9	CF0924	TUBE HEAD	HPb63-3	CHROME	1	
8	CF0921	COPPER TUBE	H65	CHROME	1	
7	CF0925	STEM	STEEL	CHROME	1	
6	CF0922	HOLDER BASE	H68	CHROME	1	
5	CF0923	ANCHOR PIN	HPb63-3	CHROME	1	
4	CF2087	HOLDER ARM	HPb63-3	CHROME	1	
3	CF9108	ESCUTCHEON	HPb59-1	CHROME	1	
2	GY0050	SCREW M4*8	SUS304	MATERIAL	1	
1	GN0039	M5*8 SCREW	SUS304	MATERIAL	1	

REV.	ECM NO.	BY	REV.	ECM NO.	BY	VALID ECM NUMBER
						ACTUAL WEIGHT-grs 3.000
						EST.WEIGHT-gr[lb] 405.000[0.000]
						EST.VOLUME-cm ³ [in ³] 0.000[0.000]
						EST.SURF-AREA-mm ² [in ²] FALSE[FALSE]
						X PLANT STATUS
						PROJECT NUMBER

"This document is the exclusive property of Moen Incorporated, and may not be reproduced, nor may the information contained therein or derivable therefrom be used in any manner except by written permission of Moen Incorporated. The proprietary rights to the aforesaid information, both of a patentable and unpatentable nature, are expressly reserved to Moen Incorporated."

PAPER HOLDER
paper holder

UNITS METRIC [ENGLISH]

DIMENSION CLASSIFICATION
▲ CRITICAL
▲ MAJOR

MOEN
MOEN GUANGZHOU FAUCET CO. LTD
SHANGYUANGANG SHIHE TIANHE GUANGZHOU P. R. CHINA

DRAWN BY: Gubai Wu
APPROVED: Hongbin Yu

DATE: 27-Sep-10
SCALE: 2
DRAWING NO.: ACC9926