

DESCRIPTION

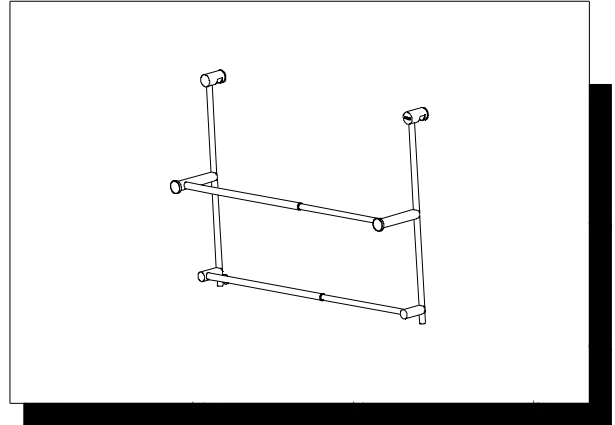
- Metal construction with polished and brushed finish

STANDARD

- Comply with GB1560-2017
- Products finish pass AASS 24H grade 10.

WARRANTY

- 5 years limited warranty except artificial damage and chemicals erosion



NOTE: ALL DIMENSIONS ARE MM.

BATH TOWEL BAR
Models: ACC9974/ ACC9974SLP

